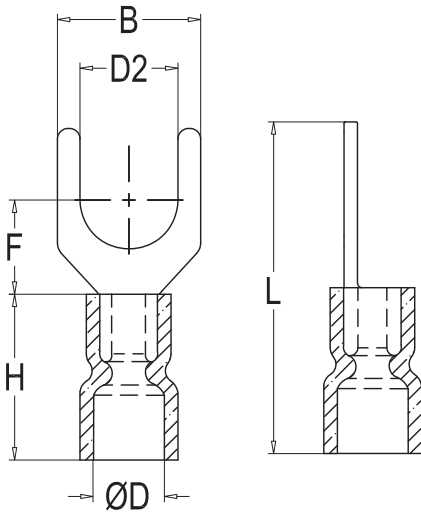


RCCN 日成EYF型易进绝缘端子 EYF Insulated Spade Terminals



说明：本系列配套工具 YYT-1可定制特殊颜色，有起订量要求。

Use note: installed by tool YYT-1 Special Color can be produced with MOQ.

| 型号 Item No. | 尺寸 DIMENSION | | | | | | | 颜色 Color |
|----------------|------------------------------------|-----------------------------|---------|---------|---------|---------|----------------|-------------|
| | AWG/mm ² 最大电流 包装 | 螺栓口直径 Dia. of bolt D2 | B mm | L mm | F mm | H mm | D ϕ mm | |
| EYF1.25-3 | 22-16 0.5-1.5 19A | 3.2mm | 5.7 | 21.2 | 6.5 | 10.0 | 4.3 | 红 Red |
| EYFS1.25-3.5 | | 3.7mm | 5.7 | 21.2 | 6.5 | | | |
| EYFL1.25-3.5 | | 3.7mm | 6.4 | 21.2 | 6.5 | | | |
| EYFS1.25-4 | | 4.3mm | 6.4 | 21.2 | 6.5 | | | |
| EYFM1.25-4 | | 4.3mm | 7.2 | 21.2 | 6.5 | | | |
| EYFL1.25-4 | | 4.3mm | 8.1 | 21.2 | 6.5 | | | |
| EYFS1.25-5 | | 5.3mm | 8.1 | 21.2 | 6.5 | | | |
| EYFL1.25-5 | | 5.3mm | 9.5 | 21.2 | 6.5 | | | |
| EYFS1.25-6 | | 6.5mm | 9.5 | 21.2 | 6.5 | | | |
| EYFL1.25-6 | | 6.5mm | 12.0 | 27.2 | 11.0 | | | |
| EYF2-3 | 16-14 1.5-2.5 27A 1000PCS | 3.2mm | 5.7 | 21.2 | 6.5 | 10.0 | 4.9 | 蓝 Blue |
| EYFS2-3.5 | | 3.7mm | 5.7 | 21.2 | 6.5 | | | |
| EYFL2-3.5 | | 3.7mm | 6.0 | 21.2 | 6.5 | | | |
| EYFS2-4 | | 4.3mm | 6.4 | 21.2 | 6.5 | | | |
| EYFM2-4 | | 4.3mm | 7.2 | 21.2 | 6.5 | | | |
| EYFL2-4 | | 4.3mm | 8.1 | 21.2 | 6.5 | | | |
| EYFS2-5 | | 5.3mm | 8.1 | 21.2 | 6.5 | | | |
| EYFL2-5 | | 5.3mm | 9.5 | 21.2 | 6.5 | | | |
| EYFS2-6 | | 6.5mm | 9.5 | 21.2 | 6.5 | | | |
| EYFL2-6 | | 6.5mm | 12.0 | 27.2 | 11.0 | | | |
| EYF3.5-3 | 14-12 2.5-4 37A 500PCS | 3.2mm | 5.7 | 24.8 | 7.0 | 13.5 | 6.2 | 黑 Black |
| EYF3.5-4 | | 4.3mm | 8.0 | 24.8 | 7.0 | | | |
| EYF3.5-5 | | 5.3mm | 8.0 | 24.8 | 7.0 | | | |
| EYF3.5-6 | | 6.5mm | 12.0 | 28.0 | 12.1 | | | |
| EYF5.5-3.5 | | 3.7mm | 8.3 | 25.2 | 7.5 | | | |
| EYFS5.5-4 | 12-10 4-6 48A 500PCS | 4.3mm | 8.3 | 25.2 | 7.5 | 13.5 | 6.7 | 黄 yellow |
| EYFL5.5-4 | | 4.3mm | 9.0 | 26.0 | 7.5 | | | |
| EYF5.5-5 | | 5.3mm | 9.0 | 26.0 | 7.5 | | | |
| EYFS5.5-6 | | 6.5mm | 9.0 | 26.0 | 7.5 | | | |
| EYFL5.5-6 | | 6.5mm | 12.0 | 31.2 | 12.0 | | | |
| EYF5.5-8 | | 8.4mm | 14.0 | 30.0 | 11.5 | | | |

