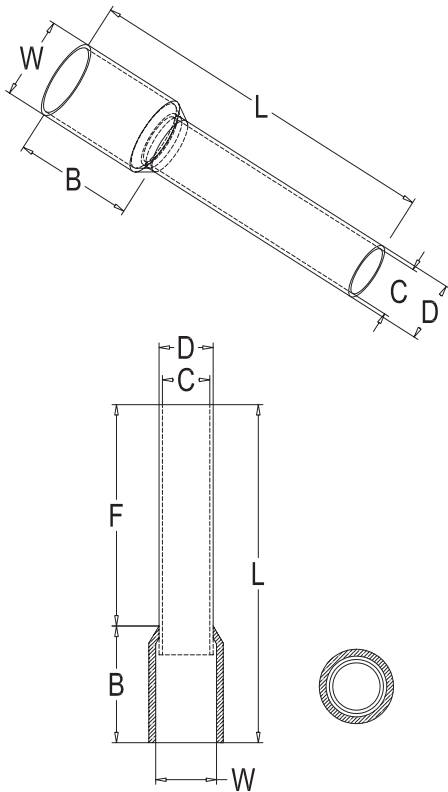


RCCN 日成ET欧式管形绝缘端子 ET Insulated Cord End Terminals



说明：本系列0.25-16配套工具YAC系列
本系列25-150配套液压工具YYT系列
Use note: series from 0.25to 16 installed by tool of YAC series
series 25 to 150 installed by tool of YYT series

护套颜色:红白蓝黑黄灰绿等7色可选配



工作极限温度：-14 至105 U_i=300V 端子材质：镀锡紫铜管
limited W.T: -14 to 105 U_i=300V Material of copper: tin coated copper

型号 Item No.	尺寸 DIMENSION						导线截面 Insulated square		绝缘套颜色 Color	
	F mm	L mm	W mm	B mm	D mm	C mm	A.W.G	mm ⁵	德国 Germany	法国 France
ET0.25-6	6	10.4								
ET0.25-8	8	12.5								
ET0.3-6	6	10.5								
ET0.3-8	8	12.5								
ET0.5-6	6	12.4								
ET0.5-8	8	14.4								
ET0.5-10	10	16.4	2.6	6.4	1.3	1.0	#22	0.5	橙色 Orange	白色 White
ET0.5-12	12	18.4								
ET0.75-6	6	12.4								
ET0.75-8	8	14.4								
ET0.75-10	10	16.4	2.8	6.4	1.6	1.3	#20	0.75	白色 White	蓝色 Blue
ET0.75-12	12	18.4								
ET1.0-6	6	12.4								
ET1.0-8	8	14.4								
ET1.0-10	10	16.4	3.0	6.4	1.8	1.5	#18	1.0	黄色 Yellow	红色 Red
ET1.0-12	12	18.4								
ET1.5-8	8	14.4								
ET1.5-10	10	16.4								
ET1.5-12	12	18.4								
ET1.5-18	18	24.4								
ET2.5-8	8	15.8								
ET2.5-10	10	17.8								
ET2.5-12	12	19.8	4.0	7.8	2.6	2.3	#14	2.5	蓝色 Blue	灰色 Gray
ET2.5-18	18	25.8								
ET4.0-9	9	17.0								
ET4.0-12	12	20.0								
ET4.0-18	18	26.0	4.8	8.0	3.2	2.8	#12	4.0	灰色 Gray	橙色 Orange
ET6.0-10	10	18.2								
ET6.0-12	12	20.2								
ET6.0-18	18	26.2	6.1	8.2	3.9	3.5	#10	6.0	黑色 Black	绿色 Green
ET10-12	12	21.5	7.6	9.5	4.9	4.5	#7	10.0	乳白 Milk white	褐色 Brown
ET10-18	18	27.5								
ET16-12	12	22.2								
ET16-18	18	28.2	8.8	10.2	6.2	5.8	#5	16.0	绿色 Green	乳白 Milk white
ET25-16	16	28.0								
ET25-22	22	34.0	11.0	12.0	7.9	7.5	#4	25.0	褐色 Brown	黑色 Black
ET35-16	16	30.0								
ET35-25	25	39.0								
ET50-20	20	36.0	15.3	16.0	10.9	10.4	#1	50.0		橄榄绿 Olive Green
ET50-25	25	41.0								
ET70-20	20	37.0	16	17.0	14.3	13.5	#2/0	70.0		
ET70-25	25	42.0	16	17.0	14.3	13.5	#2/0	70.0		黄色 Yellow
ET70-27	27	44.0	16	17.0	14.3	13.5	#2/0	70.0		
ET95-25	25	43.6	18.2	18.6	15.3	14.5	#3/0	95.0		红色/Red
ET120-27	27	47.2	20.3	20.2	17.5	16.5	#4/4	120.0		黑色 Black
ET120-32	32	52.2	20.3	20.2	17.5	16.5	#4/4	120.0		
ET150-25	25	50.6	23.4	25.6	20.6	19.6		150.0		
ET150-27	27	52.6	23.4	25.6	20.6	19.6	250-300 mcm	150.0		黄色 Yellow
ET150-32	32	57.6	23.4	25.6	20.6	19.6		150.0		