

RCCN 日成HUPD铜管端子 HUPD Cable Lugs, Copper



本品用于欧洲德国国标线及德国工具

特性:

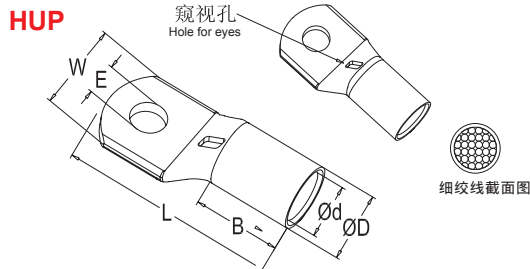
管端尺寸适于细绞线, 标准 VDE60228 (如VDE 0295 第 5、6 类)
HUPD内孔扩大型, 易于插入电缆

优势:

在受到机械应力时或在强振下连接, 同样可以实现最优的稳定性。
维修和维护工作较少。应用领域更为广泛。

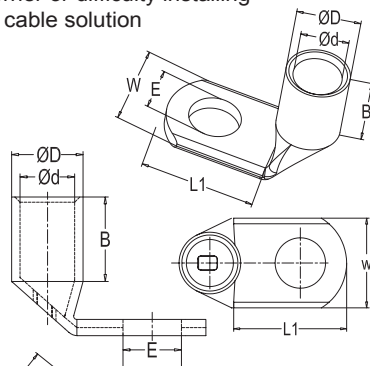
Features: tube size is for small wire, HUP standard
VDE60228 (such as VDE0295 bno.5、6) .
HUP inside hole enlarged, easy to insert cables.
Without inspection hole terminal,
part no.: **HUP35-8/N**,

Advantage: keep perfect stability when it was
strong mechanical strain or shake, less amending,
used more widely

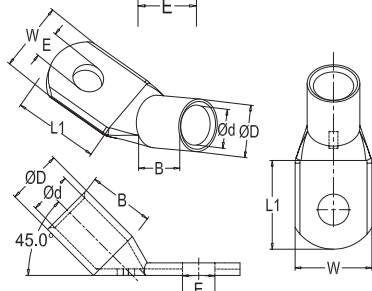


HUP90 压接电缆端子形成 45° 和 90° 的角度。

为即使是转角型的和困难的安装提供合适的解决方案。
terminal become to 45° and 90° angle,
using for corner or difficulty installing
enviroment cable solution



HUP45



型号 Item No.	尺寸 DIMENSION					
	E	D ϕ	d ϕ	W	B	L
HUPD10-5	5.3	8.0	5.5	12	14	33
HUPD10-6	6.5	8.0	5.5	12	14	33
HUPD10-8	8.5	8.0	5.5	16	14	37
HUPD10-10	10.5	8.0	5.5	16	14	41
HUPD10-12	13.0	8.0	5.5	19	14	41
HUPD16-5	5.3	9.5	6.6	13	15	36
HUPD16-6	6.5	9.5	6.6	13	15	36
HUPD16-8	8.5	9.5	6.6	16	15	42
HUPD16-10	10.5	9.5	6.6	17	15	46
HUPD16-12	13.0	9.5	6.6	19	15	46
HUPD25-5	5.3	11	7.9	15	17	39.5
HUPD25-6	6.5	11	7.9	15	17	39.5
HUPD25-8	8.5	11	7.9	17	17	44
HUPD25-10	10.5	11	7.9	17	17	49
HUPD25-12	13.0	11	7.9	19	17	49
HUPD35-6	6.5	12.5	9.2	17	19	42.5
HUPD35-8	8.5	12.5	9.2	18	19	47
HUPD35-10	10.5	12.5	9.2	18	19	52
HUPD35-12	13.0	12.5	9.2	19	19	52
HUPD35-14	15.0	12.5	9.2	21	19	52
HUPD50-6	6.5	15	11	21	21	51
HUPD50-8	8.5	15	11	21	21	51
HUPD50-10	10.5	15	11	21	21	55
HUPD50-12	13.0	15	11	21	21	59
HUPD50-14	15.0	15	11	23	21	59
HUPD50-16	17.0	15	11	28	21	59
HUPD70-8	8.5	17	13	25	25	56
HUPD70-10	10.5	17	13	25	25	60
HUPD70-12	13.0	17	13	25	25	63
HUPD70-14	15.0	17	13	25	25	63
HUPD70-16	17.0	17	13	25	25	63
HUPD95-8	8.5	19	14.5	28	26	64
HUPD95-10	10.5	19	14.5	28	26	64
HUPD95-12	13.0	19	14.5	28	26	66
HUPD95-14	15.0	19	14.5	28	26	66
HUPD95-16	17.0	19	14.5	28	26	66
HUPD120-8	8.5	21	16.2	30	30	71
HUPD120-10	10.5	21	16.2	30	30	71
HUPD120-12	13.0	21	16.2	30	30	73
HUPD120-14	15.0	21	16.2	30	30	73
HUPD120-16	17.0	21	16.2	30	30	73
HUPD120-20	21.0	21	16.2	36	30	73
HUPD150-8	8.5	23	18	34	32	79
HUPD150-10	10.5	23	18	34	32	79
HUPD150-12	13.0	23	18	34	32	81
HUPD150-14	15.0	23	18	34	32	85
HUPD150-16	17.0	23	18	34	32	85
HUPD150-20	21.0	23	18	40	32	85
HUPD185-10	10.5	26	20.6	39	35	93.5
HUPD185-12	13.0	26	20.6	39	35	93.5
HUPD185-14	15.0	26	20.6	39	35	93.5
HUPD185-16	17.0	26	20.6	39	35	93.5
HUPD185-20	21.0	26	20.6	39	35	93.5
HUPD240-10	10.5	28	23.1	41	44	96
HUPD240-12	13.0	28	23.1	41	44	96
HUPD240-14	15.0	28	23.1	41	44	102
HUPD240-16	17.0	28	23.1	41	44	102
HUPD240-20	21.0	28	23.1	41	44	102
HUPD300-12	13.0	32	26.1	47	44	115
HUPD300-14	15.0	32	26.1	47	44	115
HUPD300-16	17.0	32	26.1	47	44	115
HUPD300-20	21.0	32	26.1	47	44	115